



**300 lb. WOG†
Potable Water Service
Bronze Disc
Threaded Bonnet
Solder Ends**

GLOBE UP1502 BRONZE

Dimensions and Workmanship Conform to MSS SP-80
Designed in accordance with the requirements of California AB 1953
and Vermont S 152

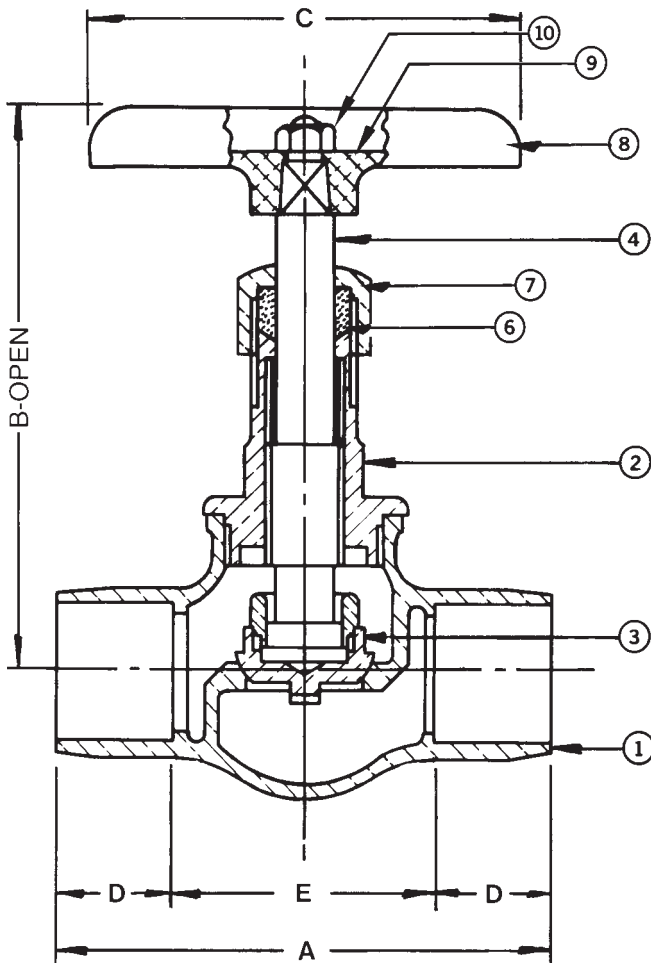


WQA tested and Certified against WQA ORD0902 for California "lead free" compliance.

1/2" size has disc integral with the stem and has no disc ring.

MATERIAL LIST

NO.	PART	MATERIAL	SPECIFICATION
1	Body	Bronze	ASTM B584 C89833
2	Bonnet	Bronze	ASTM B584 C89833
3	Disc	Bronze	ASTM B584 C89833
4	Stem	Bronze	ASTM B584 C89833
5	Disc Ring	Brass	ASTM B283 C69300 3/4" to 2"
6	Packing	Graphite	Commercial
7	Packing Nut	Brass	ASTM B 16
8	Handwheel	Mall. Iron	Commercial
9	Identification Plate	Aluminum	Commercial
10	Handwheel Nut	Brass	Commercial



DIMENSIONS - INCHES / MILLIMETERS							
Units	Size	A	B	C	D	E	Cv
Inches	1/2	2.44	3.75	2.25	0.50	1.44	1.16
mm	12.70	61.91	95.25	57.15	12.70	36.53	
Inches	3/4	3.19	4.00	2.50	0.75	1.69	2.21
mm	19.05	80.98	101.60	63.50	19.05	42.88	
Inches	1	3.69	4.38	2.75	0.91	1.88	3.64
mm	25.40	93.66	111.13	69.85	23.01	47.63	
Inches	1 1/4	4.19	5.13	3.13	0.97	2.25	6.65
mm	31.75	106.38	130.18	79.38	24.61	57.15	
Inches	1 1/2	4.75	5.63	3.50	1.09	2.56	11.10
mm	38.10	120.65	142.88	88.90	27.79	65.10	
Inches	2	5.94	6.69	4.00	1.34	3.25	20.00
mm	50.80	150.83	169.88	101.60	34.13	82.55	

† Non-Shock

Rev. 4

Milwaukee Valve Company
16550 W. Stratton Drive
New Berlin, WI 53151
Phone: 262-432-2700
Fax: 262-432-2701

Note: Lead free refers to the wetted surface of the pipe, fittings and fixtures in potable water systems that have a weighted average lead content $\leq 0.25\%$. Source: California Health and Safety Code (116875).

The information presented on this sheet is correct at the time of publication. Milwaukee Valve reserves the right to change design, and/or material specifications without notice. For the Installation, Operation and Maintenance Manual (IOM) see the engineering section on our website. For the most current information access www.milwaukeevalve.com

