



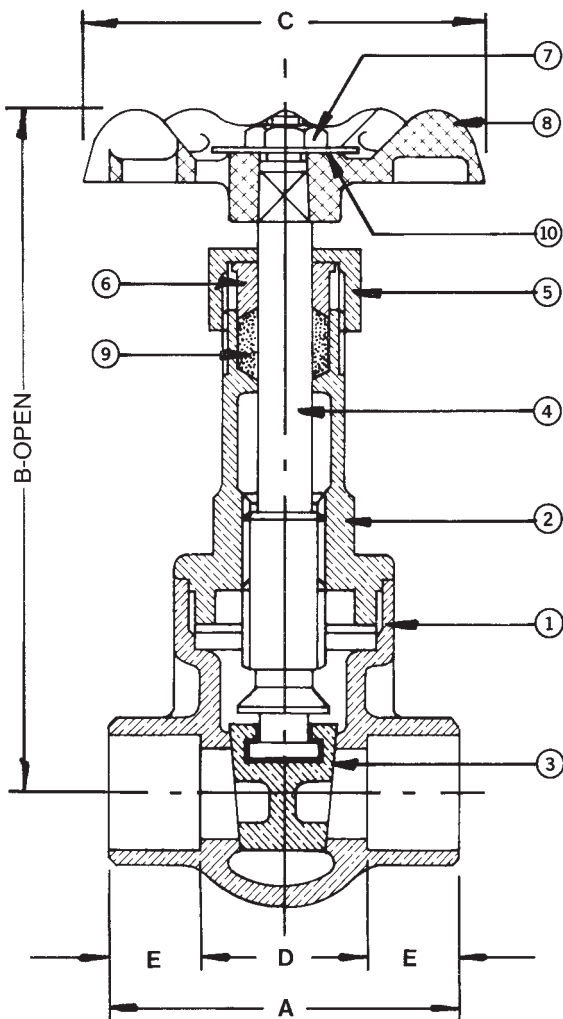
**300 lb. WOG†  
Potable Water Service  
Solid Wedge Disc • Rising Stem  
Threaded Bonnet  
Gland Packed  
Solder Ends**

# GATE UP149 BRONZE

Dimensions and Workmanship Conform to MSS SP-80  
Designed in accordance with the requirements of California AB 1953  
and Vermont S 152



WQA tested and Certified against WQA ORD0902 for California "lead free" compliance.



| DIMENSIONS - INCHES / MILLIMETERS |       |        |        |       |       |       |                |
|-----------------------------------|-------|--------|--------|-------|-------|-------|----------------|
| Units                             | Size  | A      | B      | C     | D     | E     | C <sub>v</sub> |
| Inches                            | 1/2   | 1.88   | 4.31   | 2.00  | 0.88  | 0.50  | 10.7           |
| mm                                | 12.70 | 47.63  | 109.55 | 50.80 | 22.23 | 12.70 |                |
| Inches                            | 3/4   | 2.50   | 6.25   | 2.50  | 1.00  | 0.75  | 17.6           |
| mm                                | 19.05 | 63.50  | 158.75 | 63.50 | 25.40 | 19.05 |                |
| Inches                            | 1     | 3.00   | 7.00   | 2.75  | 1.19  | 0.91  | 32.0           |
| mm                                | 25.40 | 76.20  | 177.80 | 69.85 | 30.18 | 23.01 |                |
| Inches                            | 1 1/4 | 3.25   | 8.63   | 3.13  | 1.31  | 0.97  | 54.0           |
| mm                                | 31.75 | 82.55  | 219.08 | 79.38 | 33.35 | 24.61 |                |
| Inches                            | 1 1/2 | 3.63   | 9.50   | 3.50  | 1.44  | 1.09  | 97.0           |
| mm                                | 38.10 | 92.08  | 241.30 | 88.90 | 36.53 | 27.79 |                |
| Inches                            | 2     | 4.31   | 11.50  | 3.75  | 1.63  | 1.34  | 135.0          |
| mm                                | 50.80 | 109.55 | 292.10 | 95.25 | 41.28 | 34.13 |                |

† Non-Shock

### MATERIAL LIST

| NO. | PART               | MATERIAL   | SPECIFICATION    |
|-----|--------------------|------------|------------------|
| 1   | Body               | Bronze     | ASTM B584 C89833 |
| 2   | Bonnet             | Bronze     | ASTM B584 C89833 |
| 3   | Wedge              | Bronze     | ASTM B584 C89833 |
| 4   | Stem               | Bronze     | ASTM B584 C89833 |
| 5   | Stuff Nut          | Brass      | ASTM B283 C37700 |
| 6   | Gland <sup>1</sup> | Brass      | ASTM B283 C37700 |
| 7   | Wheel Nut          | Brass      | Commercial       |
| 8   | Handwheel          | Mall. Iron | Commercial       |
| 9   | Packing            | Graphite   | Commercial       |
| 10  | Name Plate         | Sh. Alum   | Commercial       |

<sup>1</sup> Not Used of 1/2" and Smaller

Rev 4

Milwaukee Valve Company  
16550 W. Stratton Drive  
New Berlin, WI 53151  
Phone: 262-432-2700  
Fax: 262-432-2701

**Note:** Lead free refers to the wetted surface of the pipe, fittings and fixtures in potable water systems that have a weighted average lead content ≤ 0.25%. Source: California Health and Safety Code (116875).

The information presented on this sheet is correct at the time of publication. Milwaukee Valve reserves the right to change design, and/or material specifications without notice. For the Installation, Operation and Maintenance Manual (IOM) see the engineering section on our website. For the most current information access [www.milwaukeevalve.com](http://www.milwaukeevalve.com)

