



**300 lb. WOG†  
Potable Water Service  
Solid Wedge Disc • Non-Rising Stem  
Threaded Bonnet  
Gland Packed  
Solder Ends**

# GATE UP115 BRONZE

Dimensions and Workmanship Conform to MSS SP-80  
Designed in accordance with the requirements of California AB 1953  
and Vermont S 152

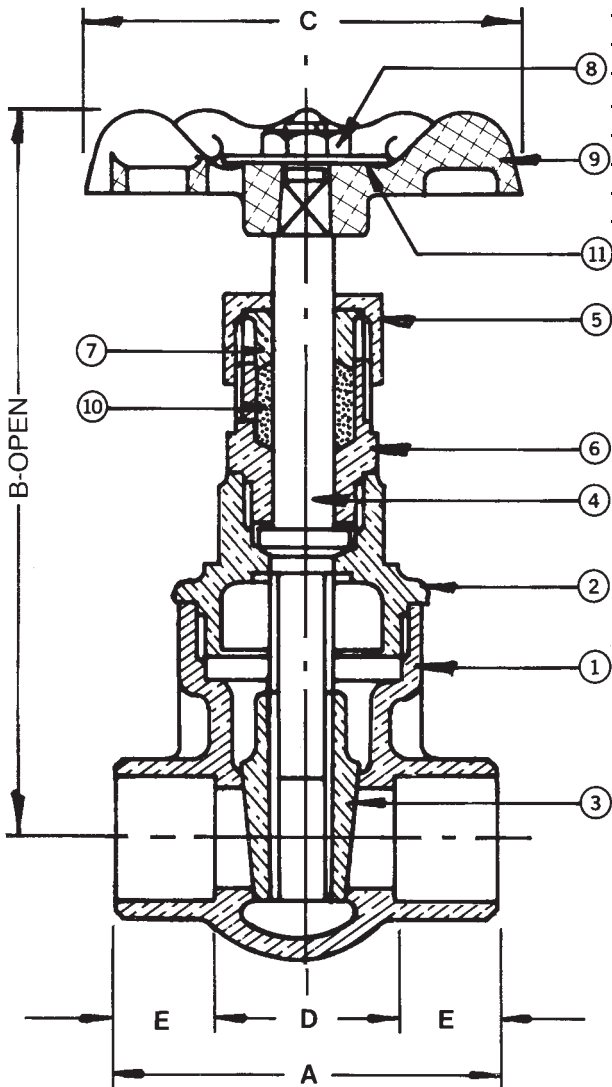


WQA tested and Certified against WQA ORD0902 for California "lead free" compliance.

### MATERIAL LIST

NO.	PART	MATERIAL	SPECIFICATION
1	Body	Bronze	ASTM B584 C89833
2	Bonnet	Bronze	ASTM B584 C89833
3	Wedge	Bronze	ASTM B584 C89833
4	Stem	Bronze	ASTM B584 C89833
5	Stuff Nut	Brass	ASTM B283 C37700
6	Check Nut	Brass	ASTM B283 C69300
7	Gland <sup>1</sup>	Brass	ASTM B283 C37700
8	Wheel Nut	Brass	Commercial
9	Handwheel	Mall. Iron	Commercial
10	Packing	Graphite	Commercial
11	Name Plate	Sh. Alum	Commercial

<sup>1</sup> Not Used of 1/2" and Smaller



### DIMENSIONS - INCHES / MILLIMETERS

Units	Size	A	B	C	D	E	C <sub>v</sub>
Inches	1/2	1.88	3.56	2.00	0.88	0.50	10.7
mm	12.70	47.63	90.50	50.80	22.23	12.70	
Inches	3/4	2.50	4.75	2.50	1.00	0.75	17.6
mm	19.05	63.50	120.65	63.50	25.40	19.05	
Inches	1	3.00	5.00	2.75	1.19	0.91	32.0
mm	25.40	76.20	127.00	69.85	30.18	23.01	
Inches	1 1/4	3.25	5.88	3.13	1.31	0.97	54.0
mm	31.75	82.55	149.23	79.38	33.35	24.61	
Inches	1 1/2	3.63	6.50	3.50	1.44	1.09	97.0
mm	38.10	92.08	165.10	88.90	36.53	27.79	
Inches	2	4.31	7.44	3.75	1.63	1.34	135.0
mm	50.80	109.55	188.93	95.25	41.28	34.13	

† Non-Shock

Rev 4

Milwaukee Valve Company  
16550 W. Stratton Drive  
New Berlin, WI 53151  
Phone: 262-432-2700  
Fax: 262-432-2701

**Note:** Lead free refers to the wetted surface of the pipe, fittings and fixtures in potable water systems that have a weighted average lead content  $\leq 0.25\%$ . Source: California Health and Safety Code (116875).

The information presented on this sheet is correct at the time of publication. Milwaukee Valve reserves the right to change design, and/or material specifications without notice. For the Installation, Operation and Maintenance Manual (IOM) see the engineering section on our website. For the most current information access [www.milwaukeevalve.com](http://www.milwaukeevalve.com)

