



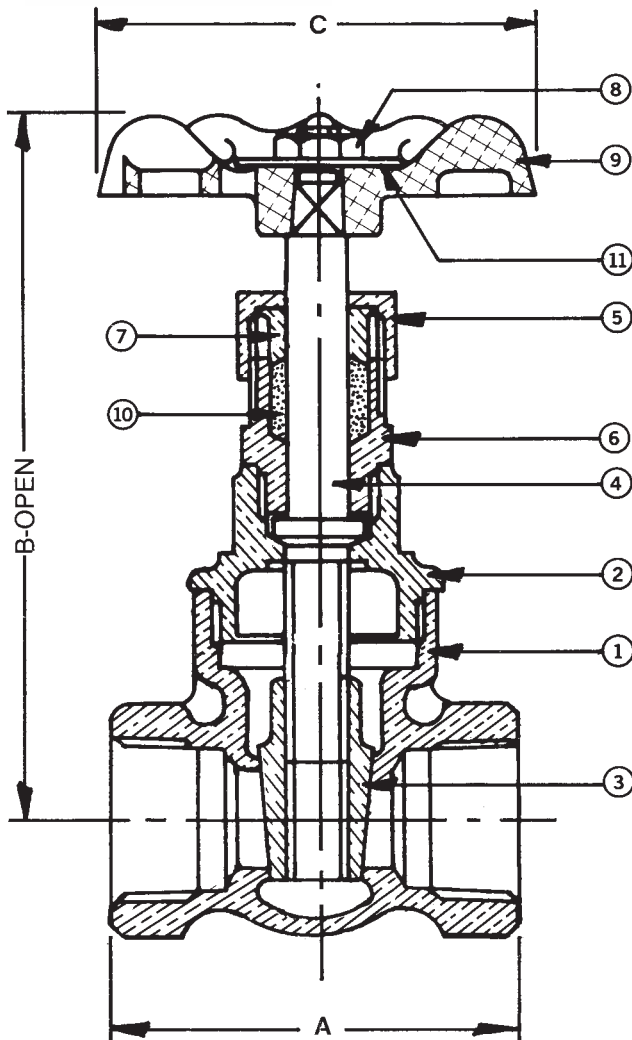
**300 lb. WOG†  
Potable Water Service  
Solid Wedge Disc • Non-Rising Stem  
Threaded Bonnet  
Gland Packed  
Threaded Ends**

# GATE UP105 BRONZE

Dimensions and Workmanship Conform to MSS SP-80  
Designed in accordance with the requirements of California AB 1953  
and Vermont S 152



WQA tested and Certified against WQA ORD0902 for California "lead free" compliance.



DIMENSIONS - INCHES / MILLIMETERS					
Units	Size	A	B	C	C <sub>v</sub>
Inches	1/4	1.75	3.63	2.00	5.6
mm	6.35	44.45	92.08	50.80	5.6
Inches	3/8	1.81	3.63	2.00	10.7
mm	9.53	46.05	92.08	50.80	10.7
Inches	1/2	2.00	3.63	2.00	17.6
mm	12.70	50.80	92.08	50.80	17.6
Inches	3/4	2.13	4.38	2.50	32.0
mm	19.05	53.98	111.13	63.50	32.0
Inches	1	2.56	5.00	2.75	54.0
mm	25.40	65.10	127.00	69.85	54.0
Inches	1 1/4	2.78	5.31	3.13	97.0
mm	31.75	70.64	134.95	79.38	97.0
Inches	1 1/2	2.81	6.34	3.50	135.0
mm	38.10	71.45	161.13	88.90	135.0
Inches	2	3.31	7.44	3.75	230.0
mm	50.80	84.15	188.93	95.25	230.0

† Non-Shock

**MATERIAL LIST**

NO.	PART	MATERIAL	SPECIFICATION
1	Body	Bronze	ASTM B584 C89833
2	Bonnet	Bronze	ASTM B584 C89833
3	Wedge	Bronze	ASTM B584 C89833
4	Stem	Bronze	ASTM B584 C89833
5	Stuff Nut	Brass	ASTM B283 C37700
6	Check Nut	Brass	ASTM B283 C69300
7	Gland <sup>1</sup>	Brass	ASTM B283 C37700
8	Wheel Nut	Brass	Commercial
9	Handwheel	Mall. Iron	Commercial
10	Packing	Graphite	Commercial
11	Name Plate	Sh. Alum	Commercial

<sup>1</sup> Not Used of 1/2" and Smaller

Rev 4

Milwaukee Valve Company  
16550 W. Stratton Drive  
New Berlin, WI 53151  
Phone: 262-432-2700  
Fax: 262-432-2701

**Note:** Lead free refers to the wetted surface of the pipe, fittings and fixtures in potable water systems that have a weighted average lead content ≤ 0.25%. Source: California Health and Safety Code (116875).

The information presented on this sheet is correct at the time of publication. Milwaukee Valve reserves the right to change design, and/or material specifications without notice. For the Installation, Operation and Maintenance Manual (IOM) see the engineering section on our website. For the most current information access [www.milwaukeevalve.com](http://www.milwaukeevalve.com)

