



# CHECK UP1509

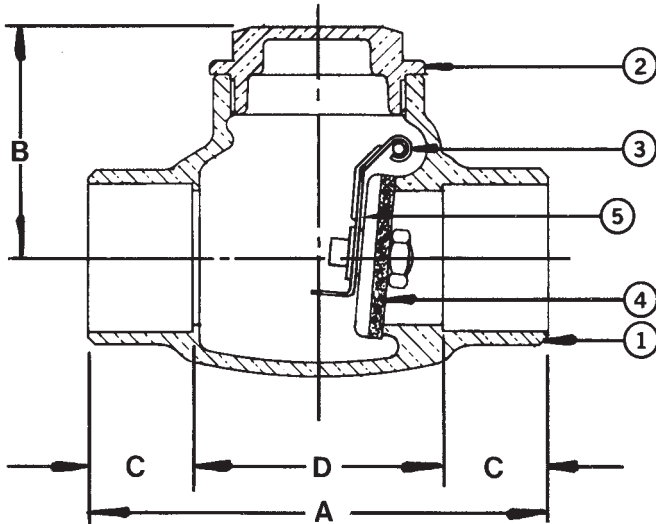
## HORIZONTAL SWING - BRONZE

**300 lb. WOG†**  
**Potable Water Service**  
**Bronze Disc**  
**Solder Ends**

Dimensions and Workmanship Conform  
to MSS SP-80  
Designed in accordance with the requirements  
of California AB 1953 and Vermont S 152



WQA tested and Certified  
against WQA ORD0902  
for California "lead free"  
compliance.



### MATERIAL LIST

NO.	PART	MATERIAL	SPECIFICATION
1	Body	Bronze	ASTM B584 C89833
2	Cap	Bronze	ASTM B584 C89833
3	Lever	St. Steel	Commercial
4	Disc	Brass	ASTM B283 C69300
		Bronze	2" ASTM B584 C89833
5	Pin	St. Steel	Commercial
6	Retaining Ring	St. Steel	Commercial
7	Plug (not shown)	Brass	ASTM B283 C69300

### DIMENSIONS - INCHES / MILLIMETERS

UNITS	SIZE	A	B	C	D	C <sub>v</sub>
Inches	1/2	2.56	1.44	0.50	1.56	6.0
mm	12.70	65.10	36.53	12.70	39.70	
Inches	3/4	3.31	1.69	0.75	1.75	10.0
mm	19.05	84.15	42.88	19.05	44.45	
Inches	1	4.00	1.97	0.91	2.19	18.0
mm	25.40	101.60	50.01	23.01	55.58	
Inches	1 1/4	4.25	2.16	0.97	2.31	31.0
mm	31.75	107.95	54.76	24.61	58.75	
Inches	1 1/2	4.94	2.41	1.09	2.75	54.0
mm	38.10	125.43	61.11	27.79	69.85	
Inches	2	6.13	2.81	1.34	3.44	76.0
mm	50.80	155.58	71.45	34.13	87.33	

† Non-Shock

Rev. 5

Milwaukee Valve Company  
16550 W. Stratton Drive  
New Berlin, WI 53151  
Phone: 262-432-2700  
Fax: 262-432-2701

**Note:** Lead free refers to the wetted surface of the pipe, fittings and fixtures in potable water systems that have a weighted average lead content ≤ 0.25%. Source: California Health and Safety Code (116875).

The information presented on this sheet is correct at the time of publication. Milwaukee Valve reserves the right to change design, and/or material specifications without notice. For the Installation, Operation and Maintenance Manual (IOM) see the engineering section on our website. For the most current information access [www.milwaukeevalve.com](http://www.milwaukeevalve.com)

